

NTSC WV-NF284 (24 V AC, 12 V DC or PoE) PAL WV-NF284 (24 V AC, 12 V DC or PoE)



## Color Fixed Dome Network Camera with MPEG-4 and JPEG dual streaming, PoE, and 3.6x Varifocal lens

### Key Features

- MPEG-4/JPEG digital signal output at VGA image size with up to 30 ips
- MPEG-4 and JPEG dual stream output for simultaneous real time monitoring and high resolution recording
- Progressive output provides clear images, even when the subject is moving.
- High sensitivity: 1.5 lux at F1.3 (Wide)
- Electronic sensitivity enhancement: Auto (Up to 16x) / OFF
- Electronic shutter for anti flicker
- 2.8 ~ 10 mm, 3.6x Varifocal Auto Iris lens
- VMD (Video Motion Detector) with 4 programmable detection areas and 6 sensitivity levels
- Meta data for VMD is supplied to work with the WJ-ND400 playback VMD function.
- Monitor output for easier installation
- Up to 3x digital zoom controlled by browser
- Camera title display: Up to 20 alphanumeric characters on browser
- SD Memory card slot for alarm recording and backup upon network failure. Recorded data can be downloaded by using FTP command.
- Alarm sources including Terminal input, VMD and Panasonic alarm command can trigger actions including SD memory recording/FTP image transfer, E-mail notification, Alarm indication, Terminal output and Panasonic protocol output.
- Built-in microphone for audio (1-way)
- Built-in network interface (10Base-T / 100Base-TX)
- Power over Ethernet (PoE) IEEE 802.3af.
- Multiscreen: Images from 8 cameras can be displayed in 2 separate Quad screens (JPEG only). 20 characters camera title is available for each camera.
- FTP client function enables periodic image data transfer or transfer upon alarm.
- Alarm e-mail notification

- Max. bit rate/client (64 / 128 / 256 / 512 / 1,024 / 1,536 / 2,048 / 3,072 / 4,096 kbps) or frame rate priority mode (4,096 kbps / Unlimited) for MPEG-4 and Total bit rate control (64 / 128 / 256 / 512 / 1,024 / 2,048 / 4,096 kbps / Unlimited) allowing flexible network management.
- Supported Protocol: TCP/IP, UDP/IP, HTTP, RTSP, RTP, RTP/RTCP, FTP, SMTP, DHCP, DNS, DDNS, NTP, SNMP
- Internet mode: MPEG-4 images can be transmitted over HTTP protocol.
- Multi-language GUI and setup menu: English, French, Italian, Spanish, German, Russian (PAL) / English, French (NTSC) \* Installation required except for English

### Standard Accessories

- |   |                              |   |                              |
|---|------------------------------|---|------------------------------|
| • CD-ROM* .....                             | 1 pc.                        | • Dome cover fixing screw (tapping screw, nominal diameter: ø2.6 mm) .....  | 2 pcs. (incl. a spare screw) |
| • Installation Guide (English version) .... | 1 pc.                        | • Monitor output (3.5 mm mini jack) - BNC conversion cable .....  | 1 pc.                        |
| The followings are for the installation.    |                              |   |                              |
| • Power cord plug .....                     | 1 pc.                        | • Cable tie .....   | 2 pcs.(incl. a spare tie)    |
| • External I/O terminals plug .....         | 1 pc.                        | * Panasonic IP setting software, the viewer software and the operating instructions (PDF) are included on the CD-ROM. |                              |
| • Code Label .....                          | 1 pc.                        |   |                              |
| • Camera mount bracket .....                | 1 pc.                        |   |                              |
| • Camera fixing screw (M3 x 6) .....        | 2 pcs. (incl. a spare screw) |   |                              |

### Optional Accessories

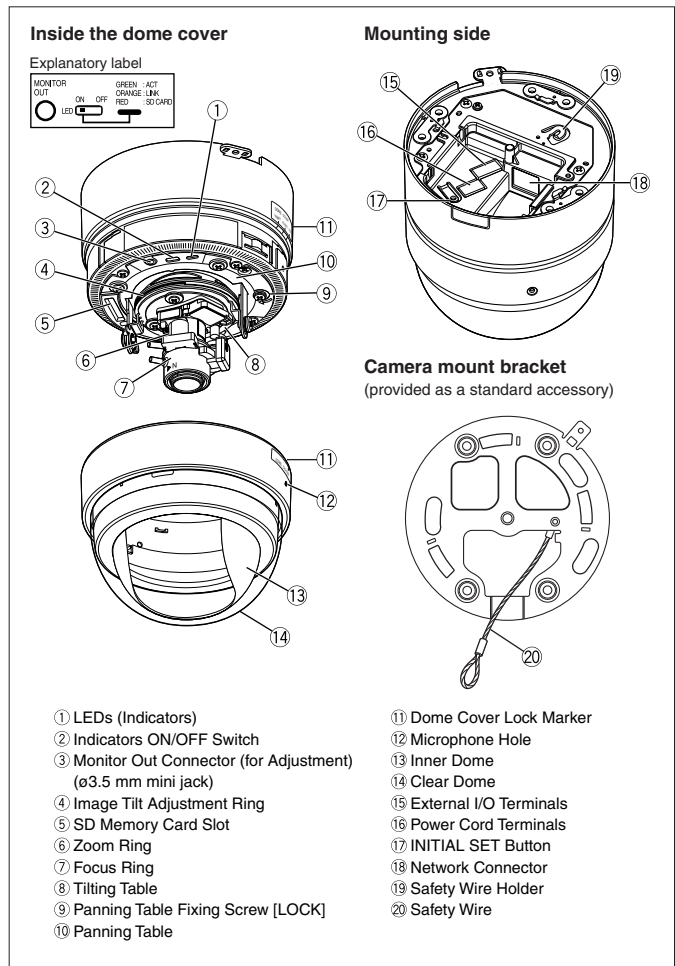


## Specifications

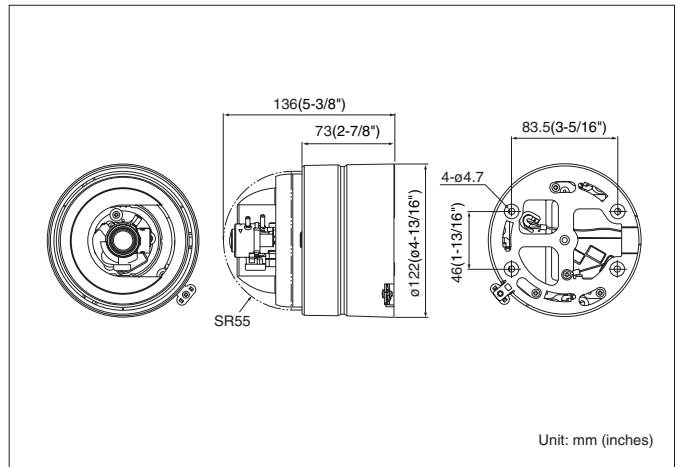
TV System	NTSC	PAL
<b>Camera</b>	Image Sensor	
	1/4 inch progressive scan CCD	
	Effective Pixels	
	659 (H) x 494 (V)	
	Scanning Mode	
	Progressive scan	
	Scanning Area	
	3.59 (H) x 2.70 (V) mm	
	Minimum Illumination	
	Color (30IRE): 1.5 lux (Sens up: OFF), 0.09 lux (Sens up: 16x) at F1.3 (Wide)	
	White Balance	
	AUTO / HOLD	
	Light Control	
	ALC with ELC (1/30 ~ 1/100)	
	BLC	
ON / OFF		
AGC		
Always ON		
Electronic Shutter		
For flicker less mode: 1/100 ~ 3/100 (Auto select)		
Electronic Sensitivity UP		
OFF / AUTO (2x, 4x, 8x, 16x)		
Digital Zoom		
1x, 1.5x, 2x, 2.5x, 3x, Controlled by browser GUI		
Video Motion Detector		
4 areas, 6 Sensitivity: High / Middle / Low		
Back Focus Adjustment		
Manual		
Lens Mount		
Original		
Synchronization		
Internal		
<b>Lens</b>	Focal Length	
	2.8 ~ 10 mm, 3.6x varifocal	
	Angular Field of View	
	H : 20.8° (Tele) ~ 73.5° (Wide) V : 15.6° (Tele) ~ 54.4° (Wide)	
Maximum Aperture Ratio		
1 : 1.3 (Wide) ~ 1 : 3.1 (Tele)		
Focusing Range		
1.2 m (3.9 ft.) ~ ∞		
<b>Pan and Tilt</b>	Panning Range	
	180° (clockwise), 140° (counterclockwise)	
<b>Tilt</b>	Tilting Range	
	±75°, Image tilt adjustment range: ±100°	
<b>Browser GUI</b>	Camera Control	
	Brightness, AUX ON/OFF	
<b>GUI</b>	Display Mode	
	Spot, Quad: Image from 8 cameras can be displayed in 2 different Quad screens (JPEG only). 20 characters camera title available.	
	Digital Zoom	
	1x, 1.5x, 2x, 2.5x, 3x, zoom by camera	
	Camera Title	
	Up to 20 alphanumeric characters	
	Clock Display	
	Time: 12H / 24H, Date: 5 formats on the browser, Summer time (Manual)	
	Alarm Control	
	Reset	
	One Shot Capture	
	A still picture is displayed on a newly opened window.	
	Audio	
	ON / OFF	
	GUI / Setup Menu Language	
English, French		
English, French, Italian, Spanish, German, Russian (Installation required except for English)		
System Log		
Up to 100 (Internal), Up to 4,000 (SD memory) error logs		
Supported OS		
Microsoft® Windows Vista® Business 32 bit, Microsoft® Windows® XP Home/Professional SP2, Microsoft® Windows® 2000 Professional SP4 The language of the OS must be same as selected GUI language.		
Supported Browser		
Windows® Internet Explorer® 7.0 (Microsoft® Windows Vista® Business 32 bit), Microsoft® Internet Explorer® 6.0 SP2 (Microsoft® Windows® XP Home/Professional SP2), Microsoft® Internet Explorer® 6.0 SP1 (Microsoft® Windows® 2000 Professional SP4)		
<b>Network</b>	Network IF	
	10Base-T / 100Base-TX, RJ45 connector IEEE 802.3af, PoE compatible	
	Image Resolution	
	VGA (640 x 480) / QVGA (320 x 240)	
	Image Compression	
	MPEG-4: Image quality: LOW / NORMAL / FINE, Transmission type: UNICAST / MULTICAST JPEG: Image quality: 10 steps, Transmission type: PULL / PUSH MPEG-4 and JPEG dual streaming, JPEG multi-resolution supported.	
	Image Refresh Rate	
	0.1 / 0.2 / 0.33 / 0.5 / 1 / 2 / 3 / 5 / 6 / 10 / 15 / 30 ips (Max. rate will be 5 ips-VGA, 10 ips-QVGA when transmitting JPEG and MPEG-4 simultaneously)	
	Audio Compression	
	G.726 (ADPCM) 32 kbps / 16 kbps	
	Total Bit Rate	
	64 / 128 / 256 / 512 / 1,024 / 2,048 / 4,096 kbps / unlimited	
	Max. Bit Rate / Client (MPEG-4)	
	64 / 128 / 256 / 512 / 1,024 / 1,536 / 2,048 / 3,072 / 4,096 kbps or Frame rate priority (4,096 kbps / Unlimited)	
	Supported Protocol	
TCP/IP, UDP/IP, HTTP, RTSP, RTP, RTP/RTCP, FTP, SMTP, DHCP, DNS, DDNS, NTP, SNMP		
FTP Client		
Alarm image transfer, FTP Periodic transfer		
No. of Simultaneous Users		
8 (Depends on network conditions)		
SD Memory Card (Option)		
Alarm REC / Backup upon network failure. Compatible SD card: Panasonic 64 MB, 128 MB, 256 MB, 512 MB, 1 GB, 2 GB model		
Alarm E-mail		
Up to 4 e-mail addresses		
User Registration		
Up to 16 users		
User/Host Level		
3 Levels: Administrator, Camera control, Live only		
Security Measures		
User authentication (ID 32 digit, PW 32 digit), Host authentication (IP address)		
<b>Alarm</b>	Alarm Source	
	VMD, Command alarm, Terminal input	
Alarm Actions		
SD memory recording/FTP image transfer, e-mail notification, Terminal output, Indication on browser, Panasonic protocol output		
<b>Input / Output</b>	Monitor Output	
	1.0 V [p-p] / 75 Ω / NTSC composite signal / ø3.5 mm mini jack 1.0 V [p-p] / 75 Ω, PAL composite signal / ø3.5 mm mini jack	
External I/O Terminals		
1x Alarm input / 1x Alarm output, 1x AUX output		
<b>General</b>	Safety/EMC Standard	
	UL (6500), FCC (Part15 ClassA), CE (EN55022 ClassB, EN55024), C-UL (CAN/CSA C22.2 No.E60065), GOST (GOST R 51558) DOC (ICES003 ClassA)	
	Power Source / Consumption	
	24 V AC 50/60 Hz: 4.0 W, 12 V DC: 350 mA, PoE (IEEE802.3af): 4.0 W	
	Ambient Operating Temperature	
	-10 °C ~ +50 °C (14 °F ~ 122 °F)	
	Ambient Operating Humidity	
	90 % or less (without condensation)	
	Dimensions	
	ø122 mm x 136 mm (ø4-13/16" x 5-3/8")	
Weight		
Approx. 640 g (1.41 lbs.)		

\* Flicker may appear when the object is darker than specified level.

## Part Names and Functions



## Appearance



### Trademarks and registered trademarks

– Microsoft, and Windows are registered trademarks of Microsoft Corporation in the U.S. and other countries.  
– "Super Dynamic", "SDII", "SDIII" and "i-Pro" logos are trademarks or registered trademarks of Panasonic Corporation.

### Important

– Safety Precaution: carefully read the operating instructions and installation manual before using this product.  
– Panasonic can not be responsible for network performance and/or other manufacturer products that reside on the network.

- All TV pictures are simulated.
- Weights and dimensions are approximate.
- Specifications are subject to change without notice.
- These products may be subject to export control regulations.
- All product pictures are NTSC models.

DISTRIBUTED BY:

**Panasonic**

<http://panasonic.net/security/>

Printed in Japan (2A-013AA)