

NTSC WV-NS202A (12 V DC or PoE) PAL WV-NS202A (12 V DC or PoE)



Dome Network Camera featuring 22x zoom and *Super Dynamic III*

Key Features

- MPEG-4 and JPEG digital signal output at VGA image size with up to 30 ips
- MPEG-4/JPEG dual stream output for simultaneous real time monitoring and high resolution recording
- Progressive output with motion adaptive interlace/progressive conversion allows every frame to be clear even when the object is moving.
- **Super Dynamic III** technology delivers 128x wider dynamic range compared to conventional cameras.
- High sensitivity with Simple Day/Night function: 0.7 lux (Color), 0.5 lux (B/W) at F1.6
- Electronic sensitivity enhancement: Auto (Up to 32x) / OFF
- VMD (Video Motion Detector) with 4 programmable detection areas and 6 sensitivity levels
- Meta data for VMD is supplied to work with the WJ-ND400 playback VMD function.
- 22x zoom lens: 3.79 ~ 83.4 mm (approx. 220x with digital zoom)
- Auto tracking: Pan and tilt automatically controlled to keep moving objects centered in screen.
- PTZ control can be taken on the user friendly GUI with 16 speeds pan/tilt and new "Drag and Zoom" operation enabling finer control. 256 speeds available for system with WV-CU950 system controller.
- Up to 64 preset positions
- 360 map shot: 8 thumbnail images at 45 deg. intervals make it simple to direct the camera easily by clicking on a thumbnail.
- Built-in network interface (10Base-T / 100Base-TX)
- Power over Ethernet (PoE) IEEE 802.3af.
- Multiscreen: Image from 16 cameras can be displayed in 4 different Quad screens or 16-screen (JPEG only)
- FTP client function enables periodic image data transfer or transfer upon alarm
- Alarm notification via e-mail
- Max. bit rate/client (64 / 128 / 256 / 512 / 1,024 / 2,048 / 4,096 kbps) or frame rate priority mode (4,096 kbps / Unlimited) for MPEG-4 and Total bit rate control (64 / 128 / 256 / 512 / 1,024 / 2,048 / 4,096 kbps / Unlimited) allowing flexible network management.
- Full duplex 2-way audio feature (G.726, 32/16 kbps)
- Alarm log, Manual REC log, FTP error log saved in the SD card is displayed on the browser GUI and can be downloaded to the client PC. Playback or Image data download through the log is also available.

- Internet mode: MPEG-4 images can be transmitted over HTTP protocol.
- Multi-language GUI and setup menu: English, French, Italian, Spanish, German, Polish, Russian (PAL) / English, French (NTSC) * Installation required except for English
- SD Memory card slot for Manual recording, Alarm recording and Backup upon network failure.
- Alarm sources include Terminal 1 ~ 3, VMD and Panasonic alarm command. Selectable alarm actions include SD memory recording, FTP image transfer, E-mail notification, Alarm indication, Terminal output, Camera positioning, Auto track and Panasonic protocol output.
- Scheduling function for Alarm / VMD / Access permission, Preset position call and Position refresh
- Industrial grade Pan/Tilt/Zoom mechanism for high reliability
- One-touch Fitting Mechanism for easy installation
- Desktop/Ceiling position choice and various optional brackets for versatile installations

Standard Accessories

• CD-ROM*1 pc.	• Fixing Screw
• Installation Guide1 pc. 2 pcs. (incl. a spare screw)
* The IP setup software, the viewer software and the network operating instructions (PDF) are included on the CD-ROM.	
• The followings are for installation.	• Decorative Cover 1 pc.
• Mount Bracket (w/safety wire)..... 1 pc.	• DC 12 V Power Cord Plug 1 pc.
	• Code Label* 1 pc.
	* It will be needed for network management. A network administrator should keep this label.

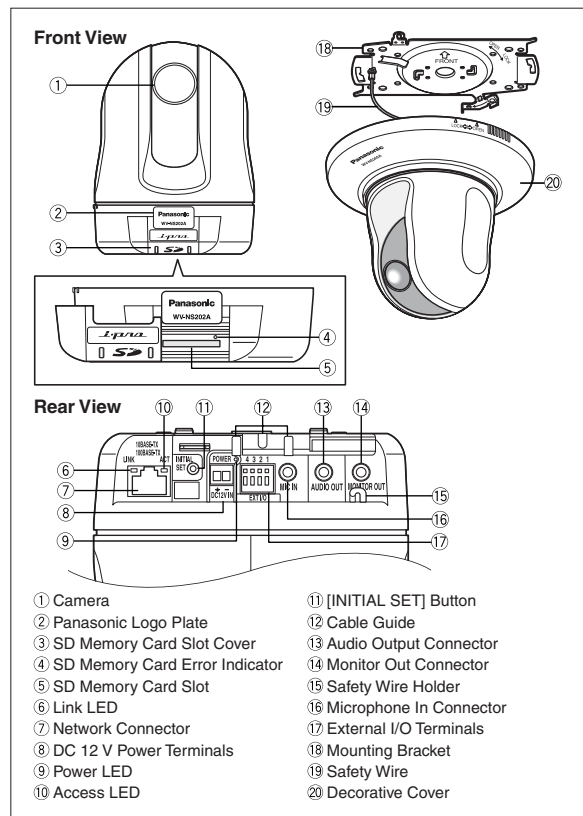
Optional Accessories

Inner Dome Cover WV-Q153 	Indoor Dome Cover WV-Q152C (Clear) WV-Q152S (Smoke)  (Smoke Type)	Embedded Ceiling Mount Brackets WV-Q151C (Clear) WV-Q151S (Smoke)  (Smoke Type)
Wall Mount Brackets WV-Q150C (Clear) WV-Q150S (Smoke)  (Smoke Type)	Ceiling Mount Bracket WV-Q105 	

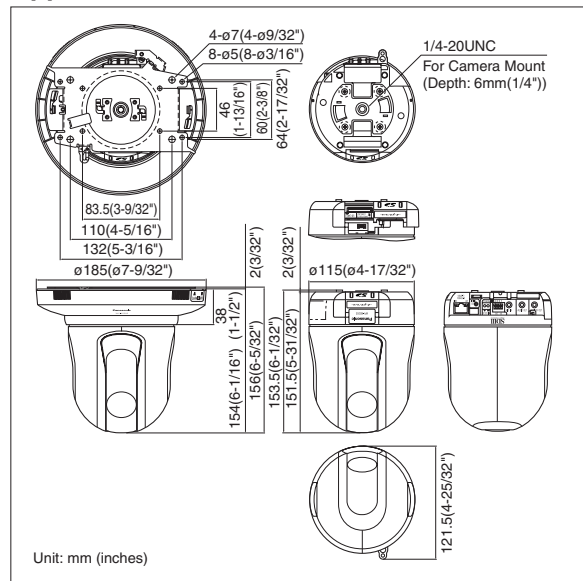
Specifications

TV System	NTSC	PAL
Camera	1/4 inch interline transfer CCD, Effective pixels: 768 (H) x 494 (V), Scanning Area: 3.59 (H) x 2.70 (V) mm	
Scanning Mode	2:1 interlace scan (with motion adaptive interlace/progressive conversion)	
Minimum Illumination	Color (30 IRE): 0.7 lux (Sens up: OFF), 0.02 lux (Sens up: 32x) at F1.6 B/W (10 IRE): 0.5 lux (Sens up: OFF), 0.015 lux (Sens up: 32x) at F1.6	
White Balance	AWC (2,000 ~ 10,000 K), ATW1 (2,700 ~ 6,000 K), ATW2 (2,000 ~ 6,000 K)	
Light Control	Automatic integration of ALC/ELC	
AGC	ON (LOW) / ON (MID) / ON (HIGH) / OFF	
Super Dynamic III	ON or OFF (with BLC masking)	
Dynamic Range	52 dB typical (Super Dynamic III: ON, Shutter speed: OFF)	
Electronic Shutter	OFF (1/60), AUTO, 1/100	
Electronic Sensitivity UP	OFF / AUTO (2x, 4x, 6x, 10x, 16x, 32x)	
Digital Noise Reduction	High / Low	
Black and White Mode	OFF / Auto (No IR moving)	
Video Motion Detector	For preset position: 4 programmable detection areas, Sensitivity: 6 steps Non-preset position: Detects entire screen except clock area, Sensitivity: 6 steps	
Privacy Zone	Up to 8 zones, Gray/Mosaic	
Up Side Down	ON (desktop) / OFF (ceiling)	
Camera Title	Up to 16 characters (alphanumeric characters, marks)	
Lens	Type: 22x (3.79 mm ~ 83.4 mm) zoom lens, 220x with 10x digital zoom. F: 1:1.6 (Wide) ~ 3.0 (Tele)	
Angular Field of View	H: 2.6° (Tele) ~ 51.7° (Wide), V: 2.0° (Tele) ~ 39.9° (Wide)	
Min. Object Distance	1.6 m	
Pan and Tilt	Panning Range: 0° ~ 350°	
Panning Speed	Manual: approx. 1°/s ~ 100°/s, Up to 256 steps (depending on the controller) Preset: up to approx. 300°/s	
Tilting Range	-30° ~ 90° (upward-level-downward) Tilting angle limit: 0° / -5° / -10° / -15° / -20° / -25° / -30°	
Tilting Speed	Manual: approx. 1°/s ~ 100°/s, Up to 256 steps (depending on the controller) Preset: up to approx. 100°/s	
Proportional Pan/Tilt Control	Yes	
Number of Preset Positions	64	
Auto Mode	OFF/ preset sequence / auto pan / auto track	
Image Hold	ON / OFF	
PTZ Position Display	ON / OFF	
Map Shot	360° map shot / preset map shot	
Browser GUI	Camera Control: Pan/Tilt (16 steps), Zoom, Focus, Click centering, Drag zoom, Iris, Preset position call and program, Auto mode	
Display Mode	Image from 16 cameras can be displayed in 4 different Quad screens or 16-screen (JPEG only). 20 characters camera title available.	
SD Memory Data Download	Images recorded in the SD memory card can be downloaded.	
Clock Display	Time: 12H/24H, Date: 5 formats on the browser, Summer time (Manual)	
GUI / Setup	English, French	English, French, Italian, Spanish, German, Polish, Russian (Installation required except for English)
Menu Language	(Installation required for French)	
System Log	Alarm log, Manual REC log, FTP error log (SD memory required)	
Supported OS	Microsoft® Windows Vista® Business 32 bit, Microsoft® Windows® XP Home/Professional SP2, Microsoft® Windows® 2000 Professional SP4 English, French, Italian, Spanish, German	
Supported Browser	Windows® Internet Explorer® 7.0 (Microsoft® Windows Vista® Business 32 bit), Microsoft® Internet Explorer® 6.0 SP2 (Microsoft® Windows® XP Home/Professional SP2), Microsoft® Internet Explorer® 6.0 SP1 (Microsoft® Windows® 2000 Professional SP4)	
Network	Network IF: 10Base-T / 100Base-TX, RJ45 connector	
Image Resolution	VGA (640 x 480) / QVGA (320 x 240)	
Image Compression	MPEG-4: Image quality: LOW/NORMAL/FINE, Transmission type: UNICAST/MULTICAST JPEG: Image quality: 10 steps, Transmission type: PULL/PUSH	
Image Refresh Rate (JPEG)	0.1 / 0.2 / 0.33 / 0.5 / 1 / 2 / 3 / 5 / 6 / 10 / 15 / 30 ips (Max. rate will be 5 ips-VGA, 10 ips-QVGA when transmitting JPEG and MPEG-4 simultaneously)	
Audio Compression	G.726 (ADPCM) 32 kbps/16 kbps	
Audio Mode	OFF / Mic input / Audio output / Interactive (Half duplex) / Interactive (Full duplex)	
Total Bit Rate	64 / 128 / 256 / 512 / 1,024 / 2,048 / 4,096 kbps / Unlimited	
Max. Bit Rate/Client (MPEG-4)	64 / 128 / 256 / 512 / 1,024 / 2,048 / 4,096 kbps or Frame rate priority (4,096 kbps / Unlimited)	
Supported Protocol	TCP/IP, UDP/IP, HTTP, RTSP, RTP, RTP/RTCP, FTP, SMTP, DHCP, DNS, DDNS, NTP, SNMP	
FTP Client	Alarm image transfer, Periodic image transfer	
No. of Simultaneous Users	Up to 8 users	
SD Memory Card (Option)	Manual REC/Alarm REC/Backup upon network failure. Compatible SD card: Panasonic 64 MB, 128 MB, 256 MB, 512 MB, 1 GB, 2 GB model. SDHC standard card not supported.	
User Registration	Up to 16 users	
User Level	3 Levels: Administrator, Camera control, Live only	
Security Method	User authentication (ID and Password), Host authentication (IP address)	
Alarm	Alarm Source: 3x Terminal inputs, VMD, Command alarm	
Alarm Actions	SD memory recording, E-mail notification, Indication on browser, Camera positioning, FTP image transfer, Terminal output, Panasonic protocol output, Auto track	
Alarm Log	With SD memory card: 5,000 logs, Without SD memory card: 1,000 logs	
Schedule	Alarm/VMD/Access permission, Preset position call, Position refresh	
Input/ Output	Monitor Output: 1.0 V [p-p] / 75 Ω, NTSC composite, ø3.5 mm mini jack PAL composite, ø3.5 mm mini jack	
External I/O Terminals	ALARM IN 1, ALARM IN 2/ALARM OUT, ALARM IN3/AUX OUT	
Microphone Input	MIC IN (Applicable microphone: Plug-in power type) Supply voltage: 2.5 V ±0.5 V Input impedance: 3 KΩ ±10 %	
Audio Output	AUDIO OUT ø3.5 mm stereo mini jack (monaural output) Line level	
General	Safety/EMC Standard: UL (6500), FCC (Part15 ClassA), CE (EN55022 ClassB, EN55024), C-UL (CAN/CSA E60065), DOC (ICES003 ClassA), GOST (GOST R 51558)	
Power Source/Consumption	DC 12 V: approx. 1,000 mA, PoE: approx.12.0 W (IEEE802.3af compliant, Class 0 device)	
Ambient Operating Temperature/Humidity	-10 °C ~ +50 °C (14 °F ~ 122 °F), 90 % or less (without condensation)	
Dimensions	ø115 mm x 154 mm (H) (ø4-17/32" x 6-1/16" (H)) (excluding the DC 12 V power cord plug)	
Weight	Camera: approx. 850 g (1.87 lbs.) Accessories (Camera mounting bracket, decorative cover): approx. 200 g (0.44 lbs.)	

Part Names and Functions



Appearance



Trademarks and registered trademarks

– Microsoft, and Windows are registered trademarks of Microsoft Corporation in the U.S. and other countries.
– “Super Dynamic”, “SDII”, “SDIII” and “i-Pro” logos are trademarks or registered trademarks of Panasonic Corporation.

Important

– Safety Precaution: carefully read the operating instructions and installation manual before using this product.
– Panasonic can not be responsible for network performance and/or other manufacturer products that reside on the network.

- All TV pictures are simulated.
- Weights and dimensions are approximate.
- Specifications are subject to change without notice.
- These products may be subject to export control regulations.
- All product pictures are NTSC models.

DISTRIBUTED BY:

Panasonic

<http://panasonic.net/security/>

Printed in Japan (2A-003AA)